

# ***bq20z80EVM-001 SBS1.1 Impedance Track™ Technology Enabled Battery Management Solution Evaluation Module***

---



---



---

This EVM is a complete evaluation system for the bq20z80/bq29312/bq29401 battery management system. The EVM includes one bq20z80/bq29312/bq29401 circuit module, a current sense resistor, two thermistors, an EV2300 PC interface board for gas gauge interface, a PC USB cable, and Windows™-based PC software. The circuit module includes one bq20z80 IC, one bq29312 IC, one bq29401 IC, and all other onboard components necessary to monitor and predict capacity, perform cell balancing, monitor critical parameters, protect the cells from overcharge, over discharge, short circuit, and overcurrent in 2-, 3- or 4-series cell Li-ion or Li-polymer battery packs. The circuit module connects directly across the cells in a battery. With the EV2300 interface board and software, the user can read the bq20z80 data registers, program the chipset for different pack configurations, log cycling data for further evaluation, and evaluate the overall functionality of the bq20z80/bq29312/bq29401 solution under different charge and discharge conditions.

### **Contents**

1	Features .....	3
2	bq20z80/bq29312-Based Circuit Module .....	3
3	bq20z80/bq29312 Circuit Module Schematic .....	4
4	Circuit Module Physical Layouts and Bill of Materials .....	5
5	EVM Hardware and Software Setup .....	10
6	Troubleshooting Unexpected Dialog Boxes .....	10
7	Hardware Connection .....	11
8	Operation .....	12
9	Calibration Screen .....	15
10	Pro (Advanced) Screen .....	17
	Trademarks .....	18

### **List of Figures**

1	bq20z80EVM-001 Layout (Silk Screen) .....	5
2	Top Assembly .....	5
3	Layer 1 .....	6
4	Layer 2 (Internal 1) .....	6
5	Layer 3 (Internal 2) .....	6
6	Layer 4 .....	6
7	Mask (Layer 1) .....	7
8	Mask (Layer 4) .....	7
9	Bottom Assembly .....	7
10	bq20z80bq29312 Circuit Module Connection to Cells and System Load/Charger .....	11
11	SBS Data Screen .....	12
12	Data Flash Screen, 1st Level Safety Class .....	13
13	Calibration Screen .....	16
14	Pro (Advanced) Screen .....	17

### **List of Tables**

1	Ordering Information .....	3
2	Components and Flash-Memory Settings for Different Precharge Modes.....	5
3	Bill of Materials.....	8
4	Performance Specification Summary.....	10
5	Circuit Module to EV2300 Connections .....	11

## 1 Features

- Complete evaluation system for the bq20z80 SBS 1.1-compliant advanced gas gauge with Impedance Track™ Technology, bq29312 analog front end (AFE) and protection IC, and bq29401 independent overvoltage protection IC
- Populated circuit module for quick setup
- PC software and interface board for easy evaluation
- Software that allows data logging for system analysis

### 1.1 Kit Contents

- bq20z80/bq29312/bq29401 circuit module
- EV2300 PC interface board
- Software CD with the evaluation software
- Connection cable to interface board
- Set of support documentation
- EV2300 USB interface board

### 1.2 Ordering Information

**Table 1. Ordering Information**

EVM PART NUMBER	CHEMISTRY	CONFIGURATION	CAPACITY
bq20z80EVM-001	Li-ion	2, 3, or 4 cell	Any

## 2 bq20z80/bq29312-Based Circuit Module

The bq20z80/bq29312/bq29401-based circuit module is a complete and compact example solution of a bq20z80 and bq29312 circuit for battery management and protection of Li-ion or Li-polymer packs. The circuit module incorporates a bq20z80 battery monitor IC, bq29312 AFE and protection IC, bq29401 independent overvoltage protection IC, and all other components necessary to accurately predict the capacity of 2-, 3-, or 4-series cells.

### 2.1 Circuit Module Connections

Contacts on the circuit module provide the following connections:

- Direct connection to the cells: 1N (BAT-), 1P, 2P, 3P, 4P (BAT+)
- To the serial communications port (SMBC, SMBD)
- The system load and charger connect across PACK+ and PACK-
- To the *system* present pin (SYS PRES)
- To the *sleep* pin (SLEEP)

## 2.2 Pin Descriptions

PIN NAME	DESCRIPTION
1N	-ve connection of first (bottom) cell
1P	+ve connection of first (bottom) cell
2P	+ve connection of second cell
3P	+ve connection of third cell
4P	+ve connection of fourth (top) cell
SMBC	Serial communication port clock
SMBD	Serial communication data port
SYS PRES	System present pin (if low, system is present)
SLEEP	Sleep mode pin (if high, AFE enters sleep mode)
PACK-	Pack negative terminal
VSS	Pack negative terminal
PACK+	Pack positive terminal

## 3 bq20z80/bq29312 Circuit Module Schematic

This section contains information for modifying and choosing a precharge mode for bq20z80/bq29312/bq29401 implementation.

### 3.1 Schematic

The schematic follows the Bill of Materials in this user's guide.

### 3.2 Modifications for Choosing Particular Precharge Mode

In order to charge, the charge FET (CHG-FET) must be turned on to create a current path. When the  $V_{(BAT)}$  is 0 V and CHG-FET = ON, the  $V_{(PACK)}$  is as low as the battery voltage. In this case, the supply voltage for the device is too low to operate. This function has three possible configurations, and the bq29312 can be easily configured according to the application needs. The three modes are 0-V Charge FET mode, Common FET mode, and Precharge FET mode.

1. 0-V Charge FET mode - Dedicates a precharge current path using an additional FET (ZVCHG-FET) to sustain the PACK+ voltage level.
2. Common FET mode - Does not use a dedicated precharge FET. The charge FET (CHG-FET) is set to ON state as default.
3. Precharge FET mode - Dedicates a precharge current path using an additional open-drain (OD) pin drive FET (PCHG-FET) FET to sustain the PACK+ voltage level.

To use a particular mode of charging with the EVM, add or remove some elements shown in [Table 2](#), and use the given settings of DF.Configuration, ZVCHG1, 0.

**Table 2. Components and Flash-Memory Settings for Different Precharge Modes**

MODE	RESISTORS	FET	ZVCHG1	ZVCHG0
1 (default)	R19, R24	Q3, SI4435DY	0	0
2	R17	–	0	1
3	R19, R29	Q3, open-drain FET	1	0

For more details about precharge operation and mode choices, see the bq29312 data sheet at <http://www-s.ti.com/sc/ds/bq29312.pdf>.

### 3.3 Testing Fuse-Blowing Circuit

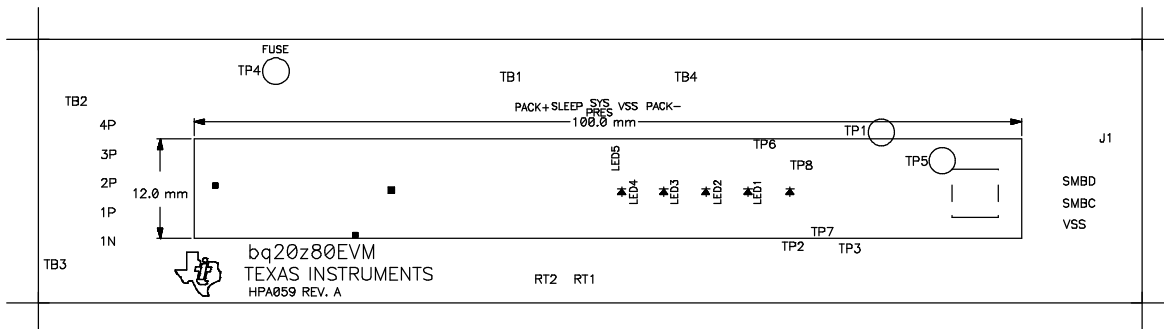
To prevent the loss of board functionality during the fuse-blowing test, the actual chemical fuse is not provided in the circuit. FET Q4 drives TP4 low if a fuse-blow condition occurs; so, monitoring TP4 can be used to test this condition. Fuse placement on the application board is shown in the bq20z80 data sheet reference-board schematic.

## 4 Circuit Module Physical Layouts and Bill of Materials

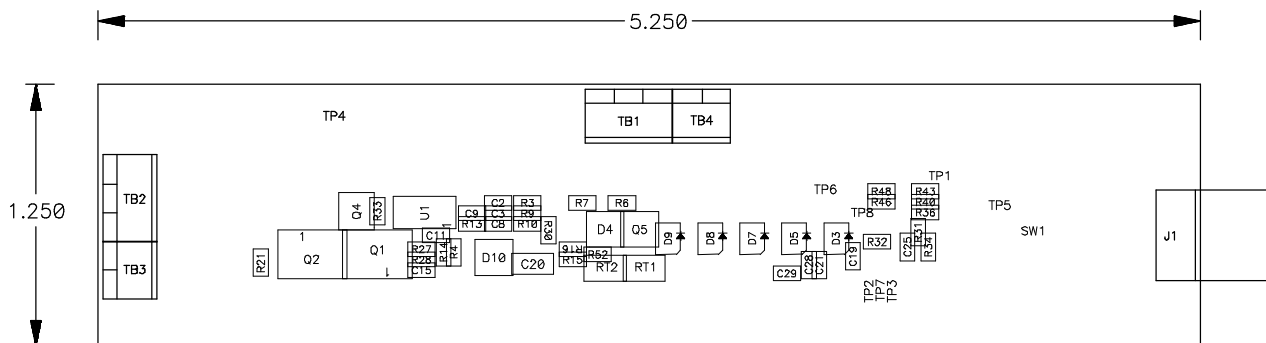
This section contains the board layout, bill of materials, and assembly drawings for the bq20z80/ bq29312/ bq29401 circuit module.

### 4.1 Board Layout

This section shows the dimensions, PCB layers, and assembly drawing for the bq20z80/bq29312 module.



**Figure 1. bq20z80EVM-001 Layout (Silk Screen)**



**Figure 2. Top Assembly**

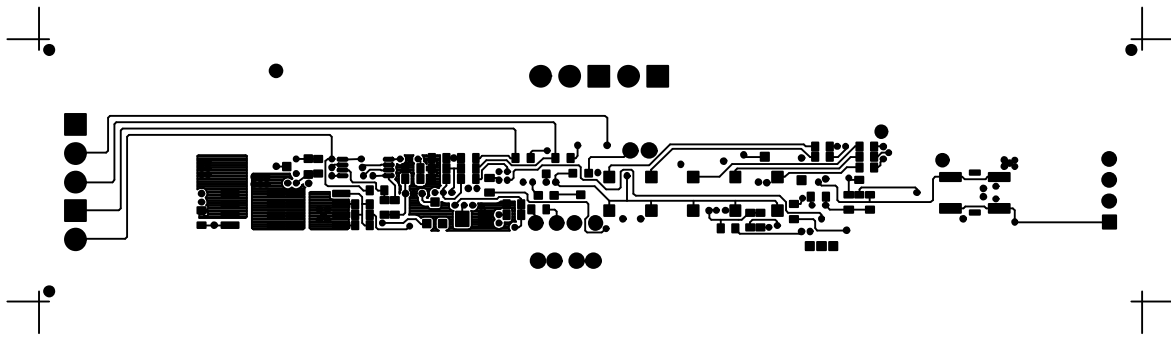


Figure 3. Layer 1

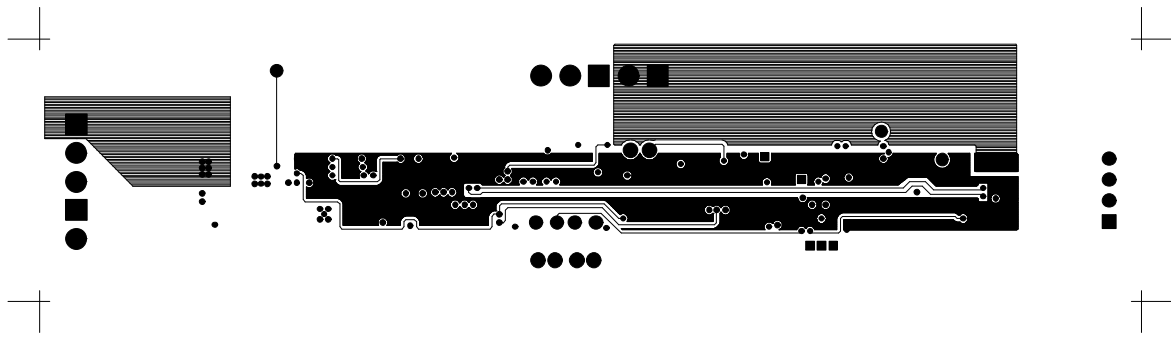


Figure 4. Layer 2 (Internal 1)

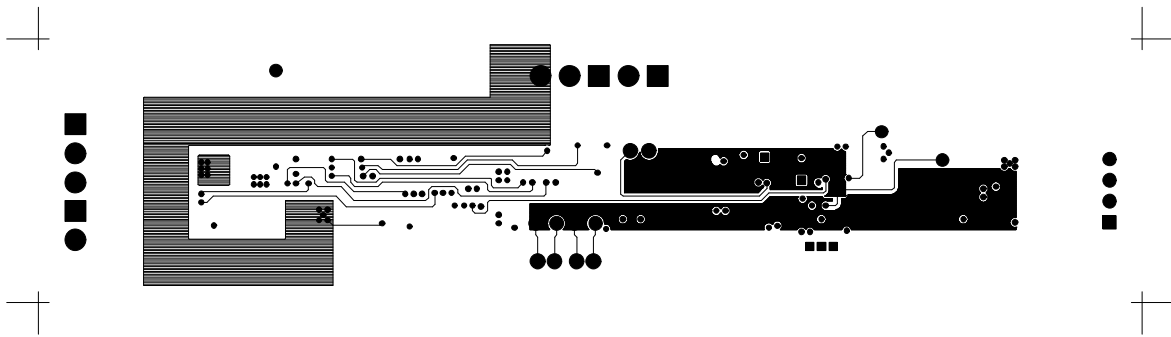


Figure 5. Layer 3 (Internal 2)

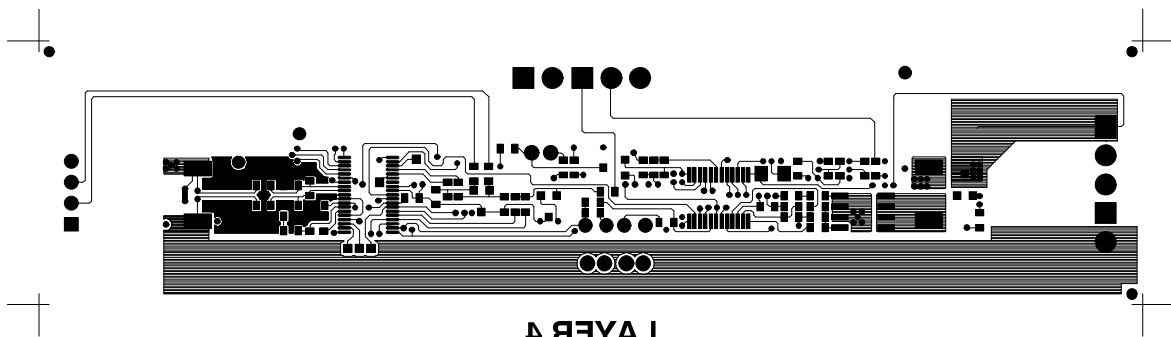


Figure 6. Layer 4

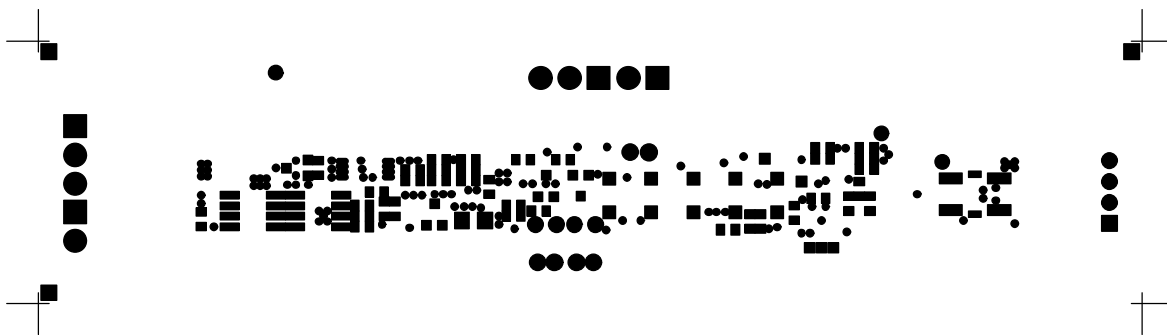


Figure 7. Mask (Layer 1)

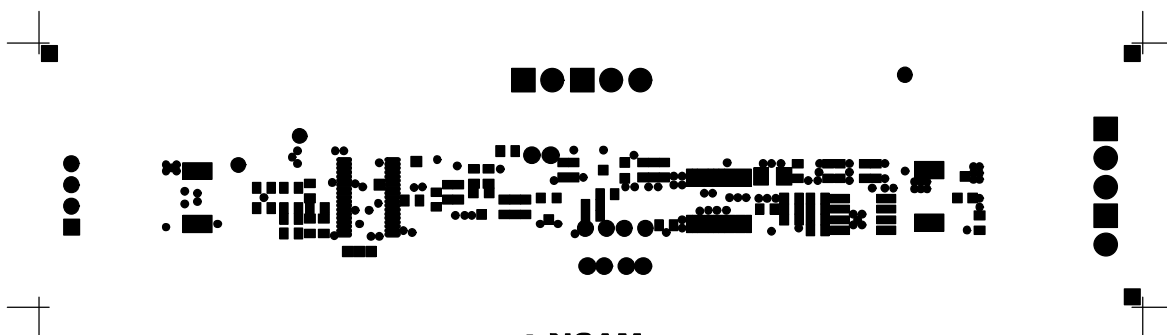


Figure 8. Mask (Layer 4)

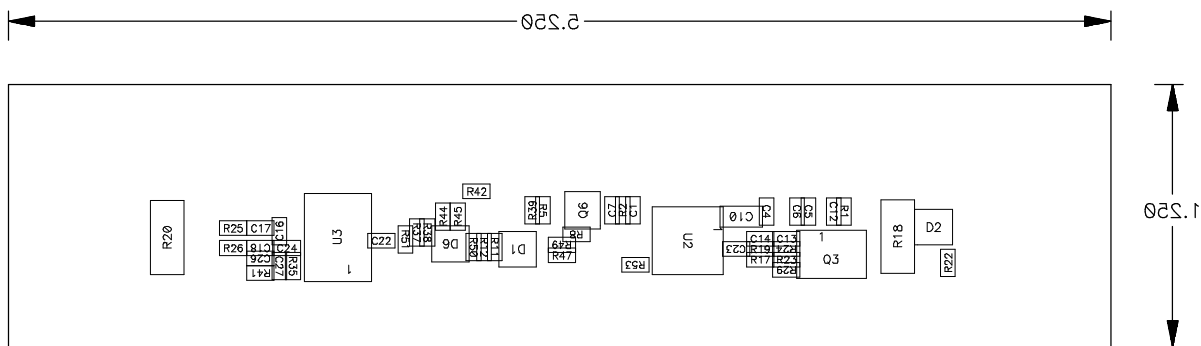


Figure 9. Bottom Assembly

## 4.2 Bill of Materials

**Table 3. Bill of Materials**

Count	Ref Des	Description	Size	MFG	Part No.
18	C1, C2, C3, C4, C5, C6, C7, C8, C9, C11, C12, C13, C14, C16, C17, C18, C19, C21	Capacitor, ceramic, 0.1 $\mu$ F 50 V, X7R, 20%	603	Any	STD
1	C10	Capacitor, ceramic, 1.0 $\mu$ F, 50 V, X7R, 20%	1206	Any	STD
0	C36	Capacitor, ceramic, 0.1 $\mu$ F, 16 V, X7R, 10%	603	Any	STD
1	C15	Capacitor, ceramic, 0.047 $\mu$ F, 50 V, X7R, 10%	603	Any	STD
1	C20	Capacitor, ceramic, 4.7 $\mu$ F, 16 V, X7R, 10%	1206	Any	STD
5	C19, C22, C24, C28, C29	Capacitor, ceramic, 0.47 $\mu$ F, 16 V, X7R, 10%	603	Any	STD
1	C26	Capacitor, ceramic, 2200 pF, 16 V, COG, 10%	603	Any	STD
1	C27	Capacitor, ceramic, 150 pF, 16 V, COG, 10%	603	Any	STD
2	D1, D6	Diode, dual, Zener, 5.6 V, 300 mW	SOT23	Vishay-Telefunken	AZ23C5V6
1	D2	Diode, dual ultra fast, series, 200 mA, 70 V	SOT23	Fairchild	BAV99
5	D3, D5, D7, D8, D9	Diode, LED, green, Gullwing, GW type, 20 mA, 7.5 mcd Typ	Gullwing	Panasonic	LN1361C
1	D4	Diode, dual Schottky, 200 mA, 30 V	SOT23	Vishay-Liteon	BAT54C
1	D10	Diode, Schottky	SOT23	Vishay-Liteon	BAT54C
1	J1	Header, friction lock assembly, 4-pin right angle	0.400 x 0.500	Molex	22-05-3041
3	Q1, Q2, Q3	MOSFET, P-ch, 30 V, 8.0 A, 20 m $\Omega$	SO8	Vishay-Siliconix	Si4435DY
2	Q4, Q6	MOSFET, N-ch, 60 V, 115 mA, 1.2 $\Omega$	SOT23	Vishay-Liteon	2N7002DICT
1	Q5	MOSFET, P-ch, 50 V, 130 mA, 10 $\Omega$	SOT23	Vishay	BSS84
16	R1, R2, R3, R8, R9, R10, R13, R14, R15, R25, R26, R30, R37, R38, R44, R45	Resistor, chip, 100 $\Omega$ , 1/16 W, 5%	603	STD	STD
0	R29	Resistor, chip, 4.99 k $\Omega$ , 1/16 W, 1%	603	STD	STD
5	R11, R12, R22, R24, R28	Resistor, chip, 4.99 k $\Omega$ , 1/16 W, 1%	603	STD	STD
0	R17	Resistor, chip, 100 k $\Omega$ , 1/16 W, 5%	603	STD	STD
7	R16, R19, R31, R33, R34, R39, R42	Resistor, chip, 100 k $\Omega$ , 1/16 W, 5%	603	STD	STD
1	R18	Resistor, chip, 300 $\Omega$ , 1 W, 1%	2512		RCW-2512-301-F
1	R20	Resistor, chip, 0.020 $\Omega$ , 1 W, 1%	2512	Vishay	WSL-2512-0
5	R21, R23, R27, R50, R51	Resistor, chip, 1 M $\Omega$ , 1/16 W, 5%	603		
1	R32	Resistor, chip, 10 $\Omega$ , 1/16 W, 5%	603	STD	STD
1	R35 <sup>(1)</sup>	Resistor, chip, 100 k $\Omega$ , 1/16 W, 0.2%, 75 PPM	603	Vishay	TNPW06031003BT9RT1
5	R36, R40, R43, R46, R48	Resistor, chip, 470 $\Omega$ , 1/16 W, 5%	603	STD	STD
4	R4, R5, R6, R7	Resistor, chip, 1 k $\Omega$ , 1/16 W, 5%	603	STD	STD
2	R41, R47	Resistor, chip, 61.9 k $\Omega$ , 1/16 W, 1%	603	STD	STD
2	R49, R53	Resistor, chip, 8.45 k $\Omega$ , 1.16 W, 1%	603	STD	STD
2	RT1, RT2	Thermistor, 10 k $\Omega$	0.095 x 0.150	Sematec	NTC103AT-2

(1) Reference designators marked with an asterisk (\*\*) cannot be substituted. All other components can be substituted with equivalent MFG's components.



**Table 3. Bill of Materials (continued)**

Count	Ref Des	Description	Size	MFG	Part No.
1	SW1	Switch, push button, momentary, N.O. low profile	5 mm x 5 mm	Panasonic	EVQ-PLHA15
2	TB1, TB2	Terminal block, 3 pin, 6 A, 3.5 mm	0.41 x 0.25	OST	ED1515
2	TB3, TB4	Terminal block, 2 pin, 6 A, 3.5 mm	0.27 x 0.25	OST	ED1514
3	TP1, TP4, TP5	Test point, cir		Farnell	240-333
1	U1	IC, voltage protection for 2, 3, or 4 cell Li-Ion, 2nd protection, x.xx	TSSOP-08	TI	bq29400PW <sup>(2)(3)(4)</sup>
1	U2	IC, 2, 3, or 4 cell series protection control AFE	TSSOP24	TI	bq29312PW <sup>(2)(3)(4)</sup>
1	U3	IC, advanced gas gauge	TSSOP38	TI	bq20z80DBT <sup>(2)(3)(4)</sup>
1	—	PCB		Any	HPA059
<b>Connector<sup>(5)</sup></b>					
2	J5 mate	Connector, Female, 0.100 centers		Molex	22-01-3407
8	N/A	Terminals, crimp, tin		Molex	08-50-0114
	N/A	Wire, insulated 24 awg. red, 18 inches (±3 inches) (USB_5V)		Alpha	1854-3
	N/A	Wire, insulated 24 awg. white, 18 inches (±3 inches) (SCL)		Alpha	1854-1
	N/A	Wire, insulated 24 awg. black, 18 inches (±3 inches) (GND)		Alpha	1854-2
	N/A	Wire, insulated 24 awg. brown, 18 inches (±3 inches) (SDA)		Alpha	1854-7
1	N/A	Heatshrink, 1 inch		Any	Any

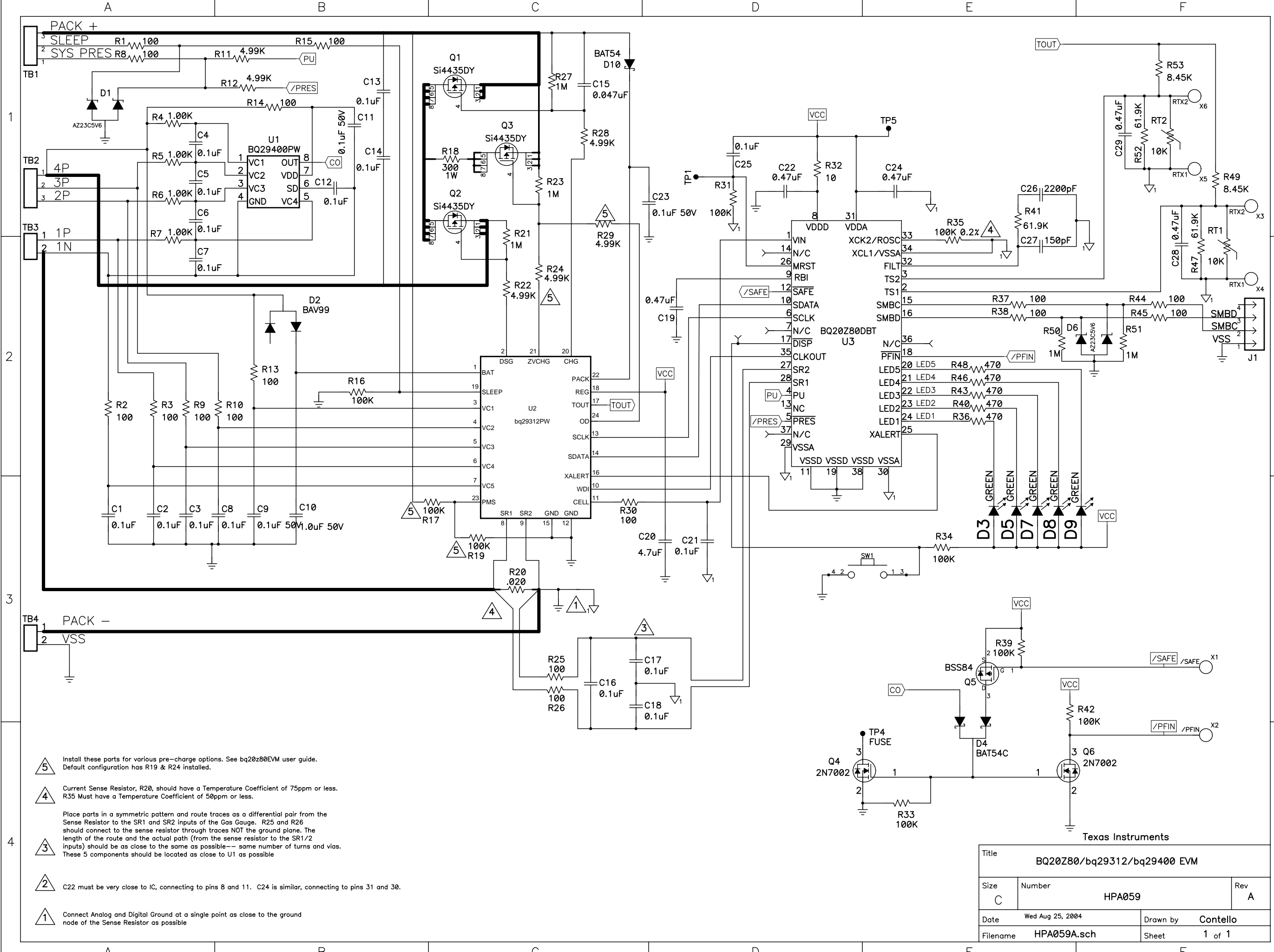
(2) This assembly is ESD sensitive.

(3) This assembly must be clean and free from flux and all contaminants. Use of no clean flux is not acceptable.

(4) This assembly must comply with workmanship standards IPC-A-610 Class 2.

(5) Make one SMBus connector wire assembly for each assembly produced, from J5 mate, 4-24 awg wires, and crimp terminals. Wire colors for pin numbers are listed below. The wire assembly shall have a J5 mate on each end.

- Red - Pin #4 (Signal USB\_5V)
- Brown - Pin #3 (Signal Data)
- White - Pin #2 (Signal Clock)
- Black - Pin #1 (GND)



- 5 Install these parts for various pre-charge options. See bq20z80EVM user guide. Default configuration has R19 & R24 installed.
- 4 Current Sense Resistor, R20, should have a Temperature Coefficient of 75ppm or less. R35 Must have a Temperature Coefficient of 50ppm or less.
- 3 Place parts in a symmetric pattern and route traces as a differential pair from the Sense Resistor to the SR1 and SR2 inputs of the Gas Gauge. R25 and R26 should connect to the sense resistor through traces NOT the ground plane. The length of the route and the actual path (from the sense resistor to the SR1/2 inputs) should be as close to the same as possible-- same number of turns and vias. These 5 components should be located as close to U1 as possible
- 2 C22 must be very close to IC, connecting to pins 8 and 11. C24 is similar, connecting to pins 31 and 30.
- 1 Connect Analog and Digital Ground at a single point as close to the ground node of the Sense Resistor as possible

Title		
BQ20Z80/bq29312/bq29400 EVM		
Size	Number	Rev
C	HPA059	A
Date	Wed Aug 25, 2004	Drawn by
Filename	HPA059A.sch	Contello
		Sheet
		1 of 1

Texas Instruments

### 4.3 bq20z80/bq29312/bq29401 Circuit Module Performance Specification Summary

This section summarizes the performance specifications of the bq20z80/ bq29312/bq29401 circuit module.

**Table 4. Performance Specification Summary**

Specification	Min	Typ	Max	Units
Input voltage Pack+ to Pack-	6		25	V
Charge and discharge current			See (1)	A

(1) Maximum currents are determined by the value of the sense resistor used and the short-circuit threshold setting of the bq29312. It is important to operate this EVM within the input voltage range of 6 V and 25 V, with a maximum voltage drop across the sense resistor of +2150 mV (1-W power dissipation).

## 5 EVM Hardware and Software Setup

This section describes how to install the bq20z80EVM-001 PC software, and how to connect the different components of the EVM.

### 5.1 System Requirements

The bq20z80EVSUW requires Windows 2000 or Windows XP. Drivers for Windows 98SE are provided, but Microsoft no longer supports Windows 98; and there may be issues in Windows 98 with USB driver support. The EV2300 USB drivers have been tested for Windows 98SE, but no assurance is made for problem-free operation with specific system configurations.

### 5.2 Software Installation

Find the latest software version in the bq20z80 tool folder on power.ti.com. Use the following steps to install the bq20z80EVSUW software:

1. Copy the files from the CD into the temporary directory you selected, open the archive TI USB DRVRS.zip, and extract its contents in a subdirectory/drivers. Choose preserve *directory structure* option when extracting. Alternatively, run SETUP.EXE from the same directory.
2. Plug the EV2300 into a USB port.
3. Wait until system prompt *new hardware found* appears. Choose *select location manually*, and use the *browse* button to point to subdirectory TIUSBWin2K-XP-1.
4. Answer *continue* to the warning that drivers are not certified with Microsoft.
5. After installation finishes, another system prompt *new hardware found* appears. Repeat procedure above, but point to subdirectory TIUSBWin2K-XP-2
6. Answer *continue* to the warning that drivers are not certified with Microsoft. Installation of drivers is now finished.
7. For Windows 98, point to directory TIUSBWin98.
8. Return to the temporary directory where you extracted files; double-click on the *Setup.exe* icon to install EV Software.

If files were downloaded from the Web:

1. Open the archive containing the installation package, and copy its contents in a temporary directory.
2. Follow the preceding steps 1 - 8.

## 6 Troubleshooting Unexpected Dialog Boxes

Ensure that the files were extracted from the zip file using the *Preserve Folder names* option.

Ensure that **ALL** the files were extracted from the zip file.

The user that is downloading the files must be logged in as the administrator.

The driver is not signed, so the administrator must allow installation of unsigned drivers in the operating system policy.

## 7 Hardware Connection

The bq20z80EVM-001 comprises three hardware components: the bq20z80/bq29312/bq29401 circuit module, the EV2300 PC interface board, and the PC.

### 7.1 Connecting the bq20z80/bq29312/bq29401 Circuit Module to a Battery Pack

Figure 10 shows how to connect the bq20z80/bq29312/bq29401 circuit module to the cells and system load/charger.

The cells should be connected in the following order:

1. 4-Cell Pack: 1N (BAT-), 1P, and 2P (see Section 2.1 for definitions).
2. 3-Cell Pack: 1N (BAT-), 1P, 2P, and then connect 4P and 3P together.
3. 2-Cell Pack: 1N (BAT-), 1P, and then connect 4P, 3P, and 2P together

To start charge or discharge test, connect PRES pin to PACK- pin to set SYS PRES state. To test sleep mode, disconnect the PRES pin.

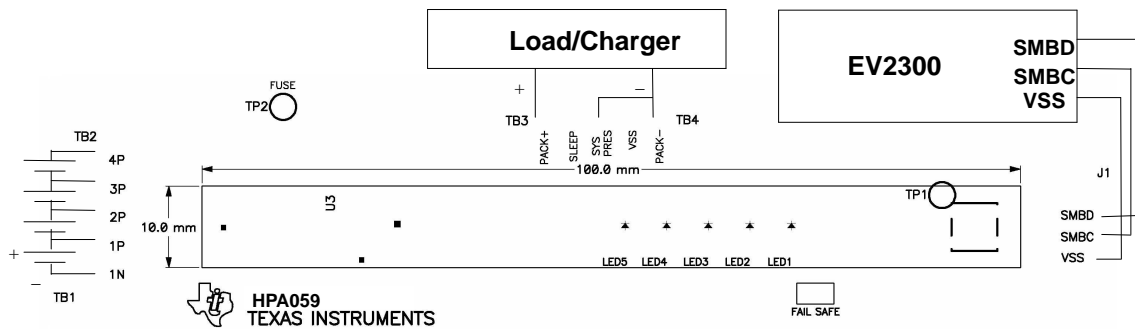


Figure 10. bq20z80/bq29312 Circuit Module Connection to Cells and System Load/Charger

### 7.2 PC Interface Connection

The following steps configure the hardware for interface to the PC:

1. Connect the bq20z80/bq29312-based smart battery to the EV2300 using wire leads as shown in Table 5.

Table 5. Circuit Module to EV2300 Connections

bq20z80/bq29312-Based Battery	EV2300
SMBD	SMBD
SMBC	SMBC
VSS	GND

2. Connect the PC USB cable to the EV2300 and the PC USB port.

The bq20z80EVM-001 is now set up for operation.

## 8 Operation

This section details the operation of the bq20z80 EVSW software.

### 8.1 Starting the Program

Run bq20z80 EVSW from the Start | Programs | Texas Instruments | bq20z80 EVSW menu sequence. The SBS Data screen appears. Data begins to appear once the <Refresh> (single time scan) button is clicked, or when the <Keep Scanning> check box is checked. To disable the scan feature, deselect <Keep Scanning>.

The continuous scanning period can be set via the |Options| and |Set Scan Interval| menu selections. The range for this interval is 0 ms to 65535 ms. Only items that are selected for scanning are scanned within this period.

The bq20z80 EVSW provides a logging function which logs the values that were last scanned by EVSW. To enable this function, select the *Start Logging* button, this causes the *Keep Scanning* button to be selected. When logging is *Stopped*, the keep scanning button is still selected and has to be manually unchecked.

The logging interval are specified under the |Options| menu with the maximum value of 65535 milliseconds. The *Log* interval cannot be smaller than scan interval because this results in the same value being logged at least twice.



Figure 11. SBS Data Screen

This screen shows the SBS data set along with additional ManufacturersAccess() command information such as individual cell measurements. Additional Flag and Static data can be viewed by selecting the appropriate tab at the bottom of the SBS screen.

Data such as SBS.ManufacturerName( ) is static and does not change. This data is viewed separately using the *Static Data* tab available at the bottom of the screen.

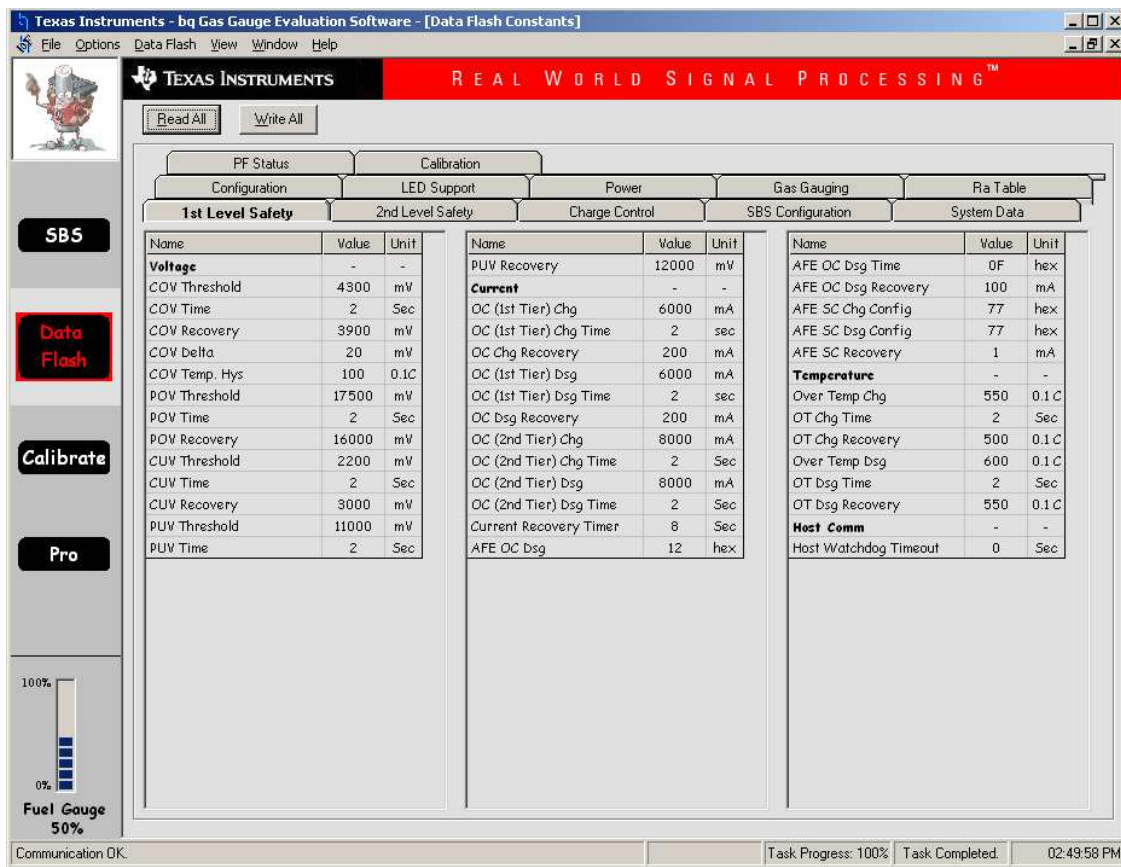
Dragging the splitter bar (line that separates the Flags/Static data from SBS values) changes the height of the Flags/Static Data display. Selecting |View| then |Auto Arrange| returns the splitter bar to its original location.

## 8.2 Setting Programmable bq20z80 and bq29312 Options

The bq20z80 data flash comes configured per the default settings detailed in the bq20z80 data sheet. Ensure that the settings are correctly changed to match the pack and application for the bq20z80/bq29312 solution being evaluated.

**IMPORTANT:** The correct setting of these options is essential to get the best performance.

The settings can be configured using the Data Flash screen.



The screenshot shows the 'Data Flash Constants' screen in the Texas Instruments bq Gas Gauge Evaluation Software. The 'Data Flash' tab is selected, and the '1st Level Safety' section is active. The screen displays a table of configuration parameters with columns for Name, Value, and Unit. The '2nd Level Safety' section is also visible but not currently selected.

Name	Value	Unit
<b>Voltage</b>	-	-
COV Threshold	4300	mV
COV Time	2	Sec
COV Recovery	3900	mV
COV Delta	20	mV
COV Temp. Hys	100	0.1C
POV Threshold	17500	mV
POV Time	2	Sec
POV Recovery	16000	mV
CUV Threshold	2200	mV
CUV Time	2	Sec
CUV Recovery	3000	mV
PUV Threshold	11000	mV
PUV Time	2	Sec

Name	Value	Unit
<b>Current</b>	-	-
PUV Recovery	12000	mV
OC (1st Tier) Chg	6000	mA
OC (1st Tier) Chg Time	2	sec
OC Chg Recovery	200	mA
OC (1st Tier) Dsg	6000	mA
OC (1st Tier) Dsg Time	2	sec
OC Dsg Recovery	200	mA
OC (2nd Tier) Chg	8000	mA
OC (2nd Tier) Chg Time	2	Sec
OC (2nd Tier) Dsg	8000	mA
OC (2nd Tier) Dsg Time	2	Sec
Current Recovery Timer	8	Sec
AFE OC Dsg	12	hex

Name	Value	Unit
<b>Temperature</b>	-	-
Over Temp Chg	550	0.1 C
OT Chg Time	2	Sec
OT Chg Recovery	500	0.1 C
Over Temp Dsg	600	0.1 C
OT Dsg Time	2	Sec
OT Dsg Recovery	550	0.1 C
<b>Host Comm</b>	-	-
Host Watchdog Timeout	0	Sec

Figure 12. Data Flash Screen, 1st Level Safety Class

To read all the data from the bq20z80 data flash, click on menu option | Data Flash | Read All |.

To write to a data flash location, click on the desired location, enter the data and press <Enter>, which writes the entire tab of flash data, or select menu option |Data Flash|Write All|. The data flash **MUST** be read before any writes are performed to avoid any incorrect data being written to the device.

The | File | Special Export | menu options allows the data flash to be exported, but it configures the exported data flash to a learned state ready for mass production use.

## Operation

---

The data flash configuration can be saved to a file by selecting | File | Export |, and entering a file name. A data flash file can also be retrieved in this way, imported, and written to the bq20z80 using the | Write All | button.

The configuration information of the bq29312 and module calibration data is also held in the bq20z80 data flash.

The bq20z80 allows for an automatic data flash export function, similar to the SBS Data logging function. This feature, when selected via | Options | Auto Export |, exports Data Flash to a sequential series of files named as *FilenameNNNNN.gg* where N = a decimal number from 0 to 9.

The AutoExport interval is set under the | Options menu | with a minimum value of 15 seconds. The AutoExport filename is also set under the | Options menu |.

When there is a check next to | AutoExport |, the AutoExport is in progress. The same menu selection is used to turn on / off AutoExport.

If the data flash screen is blank, then the bq20z80 that is being used may not be supported by the bqEVSW version that is being used. An upgrade may be required.

## 9 Calibration Screen

### 9.1 How to Calibrate

Before the bq20z80 is calibrated:

- Connect a load to Pack- and Pack+ that draws approximately 2 A and measures discharge current to use the FETs.
- Connect a current source to Batt- and Pack- to calibrate without using the FETs.
- Measure the pack voltage from Batt+ to Batt- (Total of Cell voltages).
- Measure the temperature of the pack.
- These steps may or may not be required, depending on the type of calibration being performed.

### 9.2 To Calibrate the bq20z80

Select the types of calibration to be performed.

Enter the measured values for the types selected.

If *Voltage Calibration* is selected, then enter the number of cells on the pack.

If *Temperature Calibration* is selected, then select the sensor that is to be calibrated.

If the load is connected between Pack+ and Pack-, then select the *Use FETs* checkbox.

Press the *Calibrate Part* button.

### 9.3 Board Offset Calibration

This performs the offset calibration for the current offset of the board.

Remove load/external voltage and short Pack- to Batt-.

Press the *CC Board Offset* button.

### 9.4 Pack Voltage Calibration

This calibrates the voltage at the AFE Pack pin.

Make sure *Voltage Calibration* has been performed for the pack. If *Voltage Calibration* is not performed, then *Pack Voltage Calibration* calibrates incorrectly.

Remove load/external voltage applied between Pack+ and Pack-.

Press the *Pack Voltage* button to calibrate.



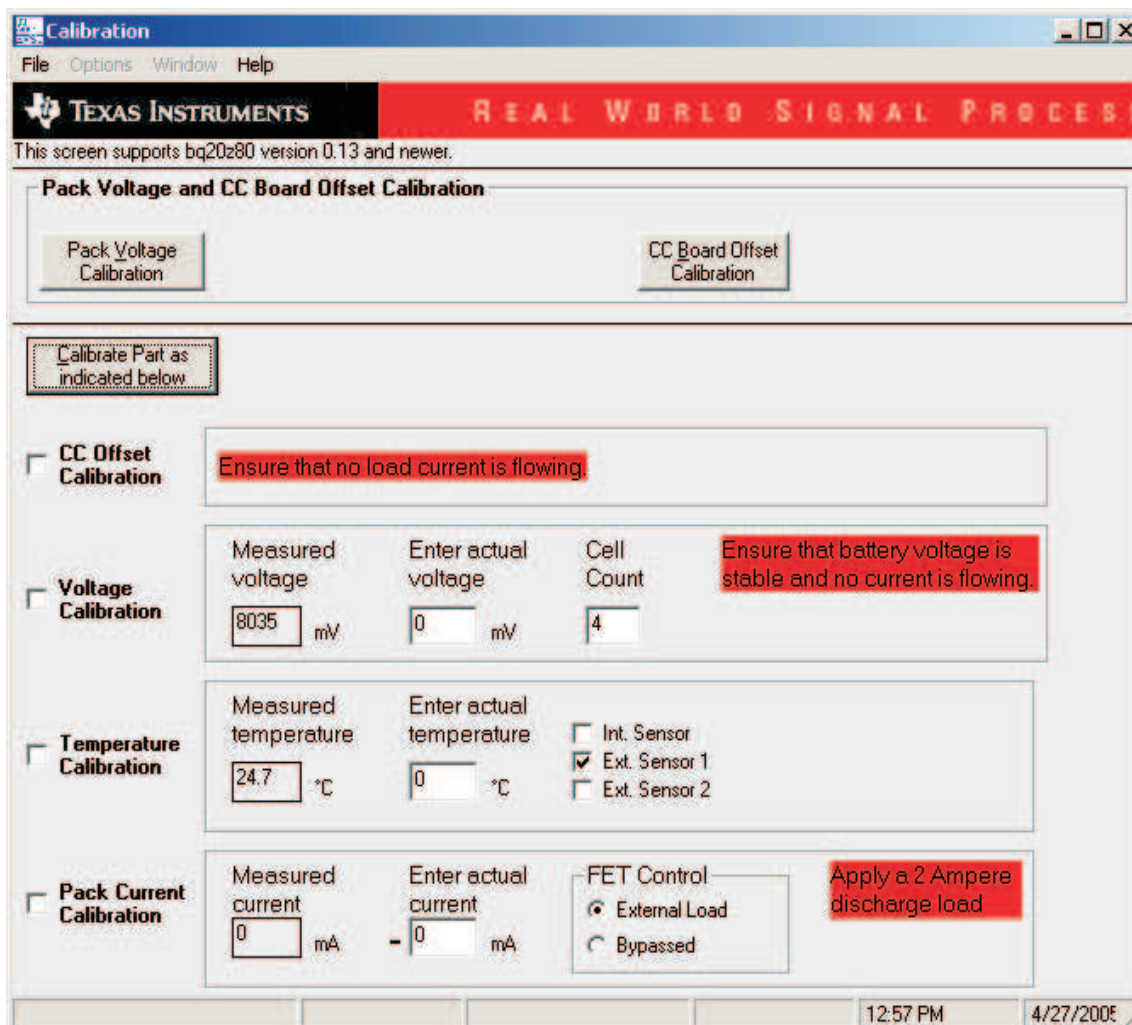


Figure 13. Calibration Screen

## 10 Pro (Advanced) Screen

### 10.1 SMB Communication

The set of read/write operations over SMBus are not specific to any gas gauge. These are provided as general-purpose communication tools.

### 10.2 Hex / Decimal Converter

These two boxes convert between hex and decimal as soon as values are typed into the boxes. Invalid values may cause erroneous results.

When scaling converted hex values to a higher number of bytes, follow these rules:

- When unsigned is selected, the left pad contains zeroes.
- When signed is selected, the left pad contains zeroes for a positive number, or the left pad contains *F* for negative numbers.

### 10.3 Programming

Allows for device reprogramming from unencrypted and encrypted files.

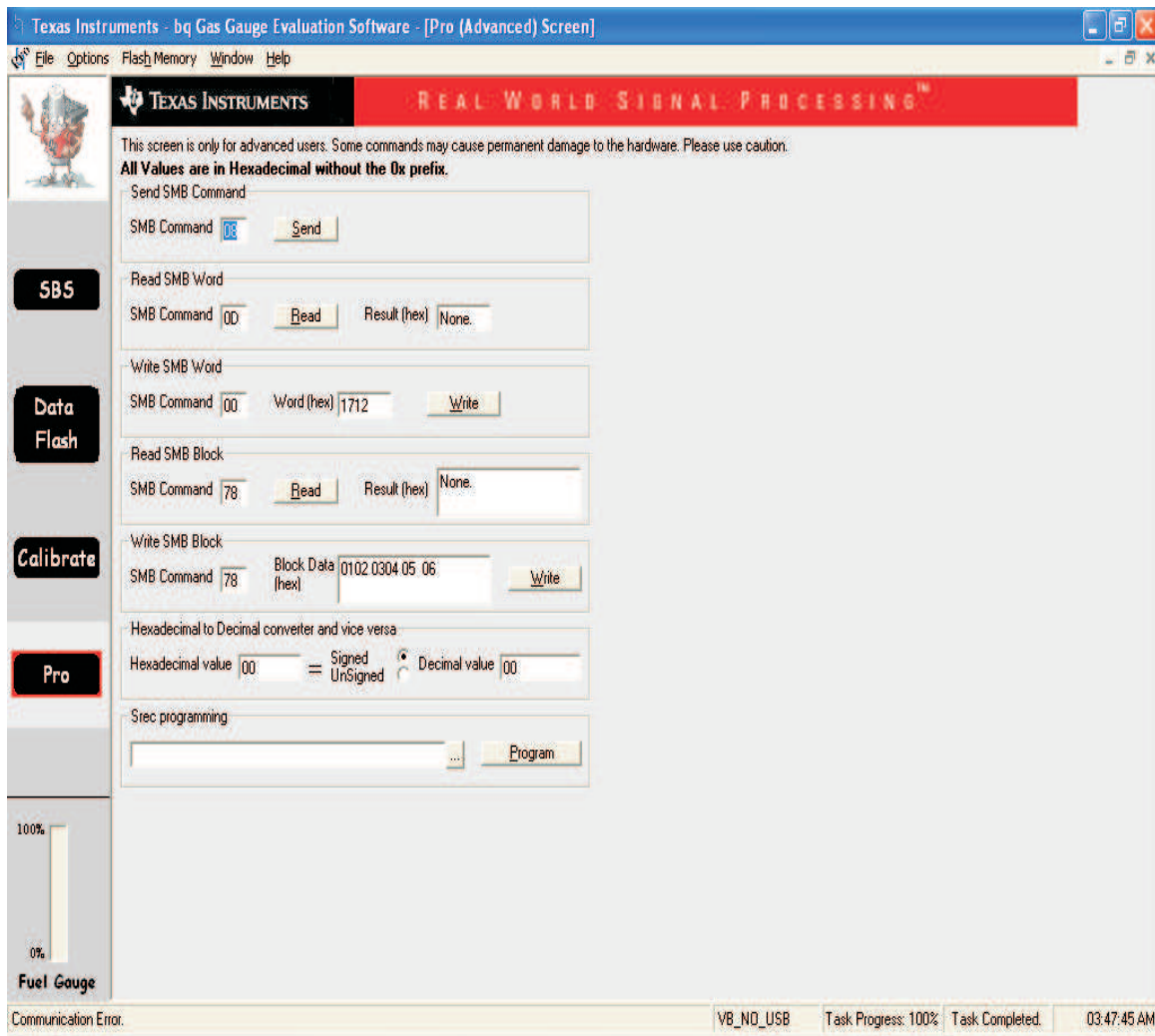


Figure 14. Pro (Advanced) Screen

### Related Documentation from Texas Instruments

To obtain a copy of any of the following TI document, call the Texas Instruments Literature Response Center at (800) 477-8924 or the Product Information Center (PIC) at (972) 644-5580. When ordering, identify this document by its title and literature number. Updated documents can also be obtained through the TI web site at [www.ti.com](http://www.ti.com)

**Data Sheets:**

bq20z80

bq29312

**Literature Number:**[SLUS625](#)[SLUS546](#)

### Trademarks

Impedance Track is a trademark of Texas Instruments.

Windows is a trademark of Microsoft Corporation.

## EVM IMPORTANT NOTICE

Texas Instruments (TI) provides the enclosed product(s) under the following conditions:

This evaluation kit being sold by TI is intended for use for **ENGINEERING DEVELOPMENT OR EVALUATION PURPOSES ONLY** and is not considered by TI to be fit for commercial use. As such, the goods being provided may not be complete in terms of required design-, marketing-, and/or manufacturing-related protective considerations, including product safety measures typically found in the end product incorporating the goods. As a prototype, this product does not fall within the scope of the European Union directive on electromagnetic compatibility and therefore may not meet the technical requirements of the directive.

Should this evaluation kit not meet the specifications indicated in the EVM User's Guide, the kit may be returned within 30 days from the date of delivery for a full refund. **THE FOREGOING WARRANTY IS THE EXCLUSIVE WARRANTY MADE BY SELLER TO BUYER AND IS IN LIEU OF ALL OTHER WARRANTIES, EXPRESSED, IMPLIED, OR STATUTORY, INCLUDING ANY WARRANTY OF MERCHANTABILITY OR FITNESS FOR ANY PARTICULAR PURPOSE.**

The user assumes all responsibility and liability for proper and safe handling of the goods. Further, the user indemnifies TI from all claims arising from the handling or use of the goods. Please be aware that the products received may not be regulatory compliant or agency certified (FCC, UL, CE, etc.). Due to the open construction of the product, it is the user's responsibility to take any and all appropriate precautions with regard to electrostatic discharge.

**EXCEPT TO THE EXTENT OF THE INDEMNITY SET FORTH ABOVE, NEITHER PARTY SHALL BE Liable to the other FOR ANY INDIRECT, SPECIAL, INCIDENTAL, OR CONSEQUENTIAL DAMAGES.**

TI currently deals with a variety of customers for products, and therefore our arrangement with the user **is not exclusive**.

TI assumes **no liability for applications assistance, customer product design, software performance, or infringement of patents or services described herein.**

Please read the EVM User's Guide and, specifically, the EVM Warnings and Restrictions notice in the EVM User's Guide prior to handling the product. This notice contains important safety information about temperatures and voltages. For further safety concerns, please contact the TI application engineer.

Persons handling the product must have electronics training and observe good laboratory practice standards.

No license is granted under any patent right or other intellectual property right of TI covering or relating to any machine, process, or combination in which such TI products or services might be or are used.

## EVM WARNINGS AND RESTRICTIONS

It is important to operate this EVM within the input voltage range of 6 V to 25 V and the output voltage range of 0 V to 16.4 V.

Exceeding the specified input range may cause unexpected operation and/or irreversible damage to the EVM. If there are questions concerning the input range, please contact a TI field representative prior to connecting the input power.

Applying loads outside of the specified output range may result in unintended operation and/or possible permanent damage to the EVM. Please consult the EVM User's Guide prior to connecting any load to the EVM output. If there is uncertainty as to the load specification, please contact a TI field representative.

During normal operation, some circuit components may have case temperatures greater than 60°C. The EVM is designed to operate properly with certain components above 60°C as long as the input and output ranges are maintained. These components include but are not limited to linear regulators, switching transistors, pass transistors, and current sense resistors. These types of devices can be identified using the EVM schematic located in the EVM User's Guide. When placing measurement probes near these devices during operation, please be aware that these devices may be very warm to the touch.

Mailing Address: Texas Instruments, Post Office Box 655303, Dallas, Texas 75265  
Copyright © 2004, Texas Instruments Incorporated

## IMPORTANT NOTICE

Texas Instruments Incorporated and its subsidiaries (TI) reserve the right to make corrections, modifications, enhancements, improvements, and other changes to its products and services at any time and to discontinue any product or service without notice. Customers should obtain the latest relevant information before placing orders and should verify that such information is current and complete. All products are sold subject to TI's terms and conditions of sale supplied at the time of order acknowledgment.

TI warrants performance of its hardware products to the specifications applicable at the time of sale in accordance with TI's standard warranty. Testing and other quality control techniques are used to the extent TI deems necessary to support this warranty. Except where mandated by government requirements, testing of all parameters of each product is not necessarily performed.

TI assumes no liability for applications assistance or customer product design. Customers are responsible for their products and applications using TI components. To minimize the risks associated with customer products and applications, customers should provide adequate design and operating safeguards.

TI does not warrant or represent that any license, either express or implied, is granted under any TI patent right, copyright, mask work right, or other TI intellectual property right relating to any combination, machine, or process in which TI products or services are used. Information published by TI regarding third-party products or services does not constitute a license from TI to use such products or services or a warranty or endorsement thereof. Use of such information may require a license from a third party under the patents or other intellectual property of the third party, or a license from TI under the patents or other intellectual property of TI.

Reproduction of information in TI data books or data sheets is permissible only if reproduction is without alteration and is accompanied by all associated warranties, conditions, limitations, and notices. Reproduction of this information with alteration is an unfair and deceptive business practice. TI is not responsible or liable for such altered documentation.

Resale of TI products or services with statements different from or beyond the parameters stated by TI for that product or service voids all express and any implied warranties for the associated TI product or service and is an unfair and deceptive business practice. TI is not responsible or liable for any such statements.

TI products are not authorized for use in safety-critical applications (such as life support) where a failure of the TI product would reasonably be expected to cause severe personal injury or death, unless officers of the parties have executed an agreement specifically governing such use. Buyers represent that they have all necessary expertise in the safety and regulatory ramifications of their applications, and acknowledge and agree that they are solely responsible for all legal, regulatory and safety-related requirements concerning their products and any use of TI products in such safety-critical applications, notwithstanding any applications-related information or support that may be provided by TI. Further, Buyers must fully indemnify TI and its representatives against any damages arising out of the use of TI products in such safety-critical applications.

TI products are neither designed nor intended for use in military/aerospace applications or environments unless the TI products are specifically designated by TI as military-grade or "enhanced plastic." Only products designated by TI as military-grade meet military specifications. Buyers acknowledge and agree that any such use of TI products which TI has not designated as military-grade is solely at the Buyer's risk, and that they are solely responsible for compliance with all legal and regulatory requirements in connection with such use.

TI products are neither designed nor intended for use in automotive applications or environments unless the specific TI products are designated by TI as compliant with ISO/TS 16949 requirements. Buyers acknowledge and agree that, if they use any non-designated products in automotive applications, TI will not be responsible for any failure to meet such requirements.

Following are URLs where you can obtain information on other Texas Instruments products and application solutions:

<b>Products</b>		<b>Applications</b>	
Amplifiers	<a href="http://amplifier.ti.com">amplifier.ti.com</a>	Audio	<a href="http://www.ti.com/audio">www.ti.com/audio</a>
Data Converters	<a href="http://dataconverter.ti.com">dataconverter.ti.com</a>	Automotive	<a href="http://www.ti.com/automotive">www.ti.com/automotive</a>
DSP	<a href="http://dsp.ti.com">dsp.ti.com</a>	Broadband	<a href="http://www.ti.com/broadband">www.ti.com/broadband</a>
Interface	<a href="http://interface.ti.com">interface.ti.com</a>	Digital Control	<a href="http://www.ti.com/digitalcontrol">www.ti.com/digitalcontrol</a>
Logic	<a href="http://logic.ti.com">logic.ti.com</a>	Military	<a href="http://www.ti.com/military">www.ti.com/military</a>
Power Mgmt	<a href="http://power.ti.com">power.ti.com</a>	Optical Networking	<a href="http://www.ti.com/opticalnetwork">www.ti.com/opticalnetwork</a>
Microcontrollers	<a href="http://microcontroller.ti.com">microcontroller.ti.com</a>	Security	<a href="http://www.ti.com/security">www.ti.com/security</a>
RFID	<a href="http://www.ti-rfid.com">www.ti-rfid.com</a>	Telephony	<a href="http://www.ti.com/telephony">www.ti.com/telephony</a>
Low Power Wireless	<a href="http://www.ti.com/lpw">www.ti.com/lpw</a>	Video & Imaging	<a href="http://www.ti.com/video">www.ti.com/video</a>
		Wireless	<a href="http://www.ti.com/wireless">www.ti.com/wireless</a>

Mailing Address: Texas Instruments, Post Office Box 655303, Dallas, Texas 75265  
Copyright © 2007, Texas Instruments Incorporated